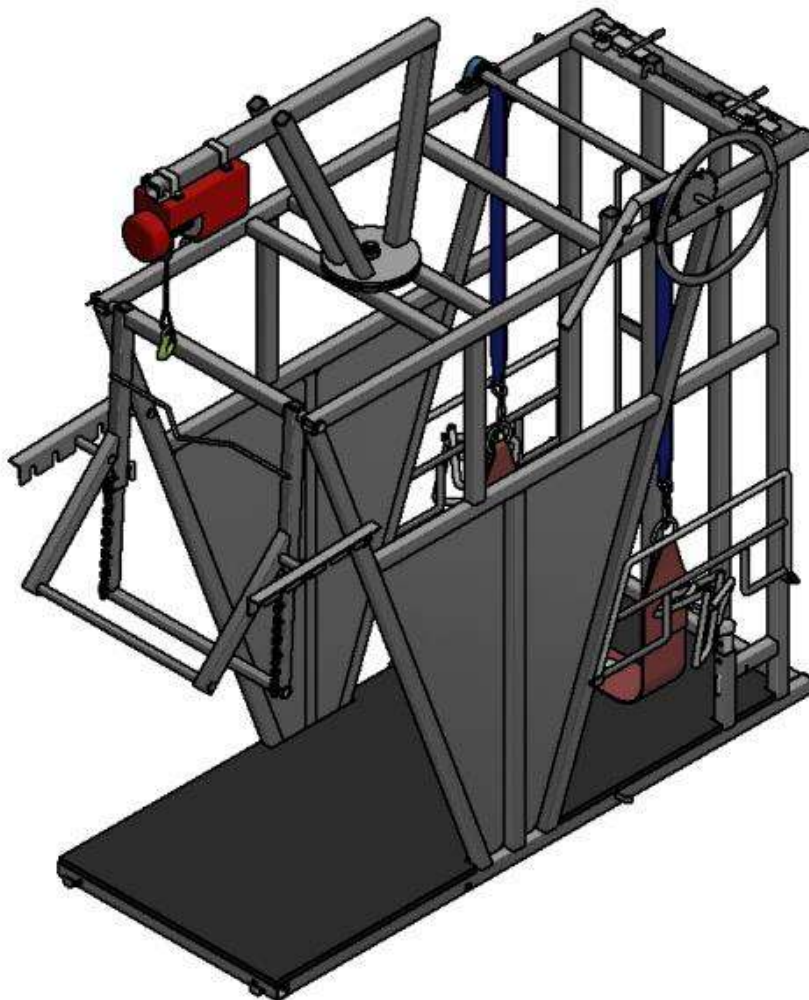

Hoof trimming crush SVP 2-2, operating manual

SVP 2-2 Operating manual





Hoof trimming crush SVP 2-2, operating manual

CONTENT

Introduction	3
Installation and preparation for the operation	4
Operation of the trimming crush	7
Fixing of the cow.....	7
Lifting of the front leg.....	7
Lifting the back leg.....	9
Releasing the cow.....	9
Trimming crush consists of	10
Maintenance of the crush	11
Restrictions on use and utilization	11
Use of extra components of the trimming crush	12
Trimming crush wheel set.....	12
Additional lifting kit	14
List of spare parts	15
Maintenance book	17



Animal Farming Equipment

Hoof trimming crush SVP 2-2, operating manual

INTRODUCTION

The hoof trimming crushes made by Latter NT OÜ (hereinafter Latter) are designed for carrying out hoof trimming works in small farms for 5 - 8 cows a day. Our crushes are of high quality and comply with the requirements of the machinery directive 2006/42/EC and standards of safety of machinery EN ISO 12100:2010 and EN 349:1998+A1:2008. This original operating manual contains vital information about maintenance and use of the equipment.

- All operators of the equipment have to read this manual carefully.
- Additionally the manual of electric hoist has to be studied likewise.
- All persons who are responsible for the installation and maintenance of the equipment have to read this manual carefully.
- The user is responsible for all damages caused by improper interpretation of the manual. In case of any questions, don't hesitate to contact the manufacturer or the sales agent.
- Keep the manual close to the equipment, where it is easily accessible.
- Keep a maintenance diary recording all maintenance works and information about damages. The template of maintenance diary is attached to the manual.
- Alterations of the equipment can be done only after written authorization of the supplier.
- In case a maintenance is needed, that is not described in the manual, contact kindly the supplier.
- Longevity and safety of the equipment are guaranteed by timely maintenance and correct use.

INSTALLATION AND PREPARATION FOR THE OPERATION

Mount the trimming crush on a smooth and flat surface. The minimum space required for operation is 4,1x2,9 x2,6 m (Figure 1). In order to use front leg holders, switch their location and rise the holders to an appropriate height in trimming position (photo 1). When the equipment is delivered, the holders are in a transport position. Remove the plastic package of the electric hoist drum cable and connect the hoist with the mains, as described in the hoist manual. Connect the extension cord as shown in photo 3. Mount the security extension according figure 2 and 3.

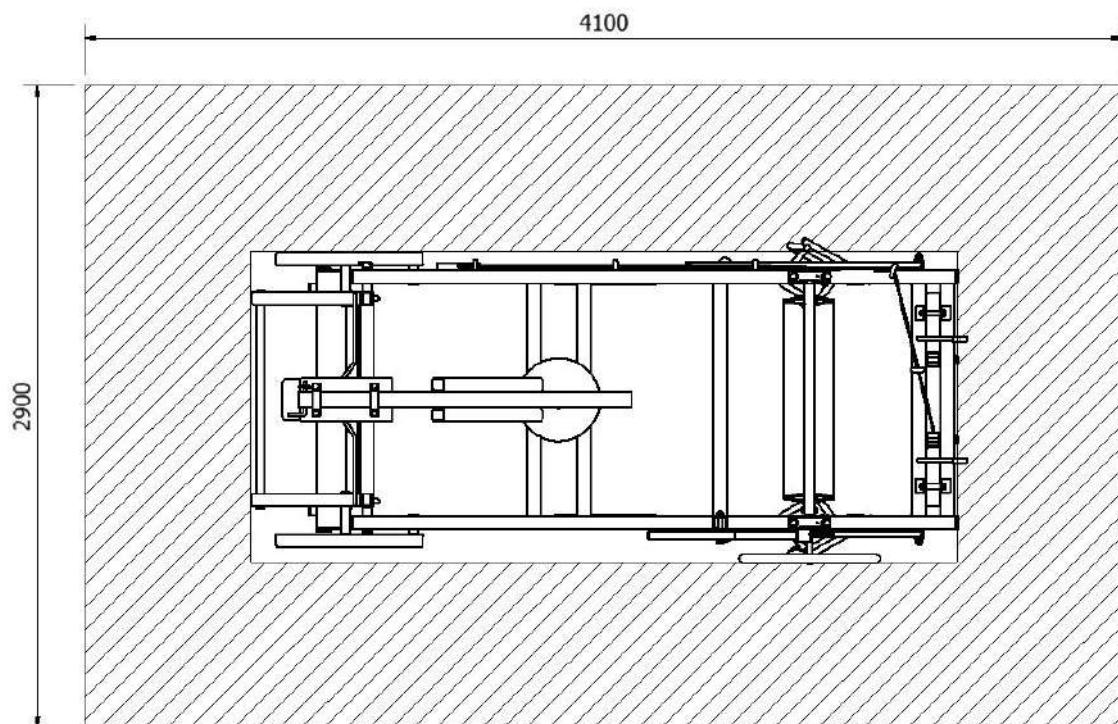


Figure 1.

Hoof trimming crush SVP 2-2, operating manual



Photo 1.

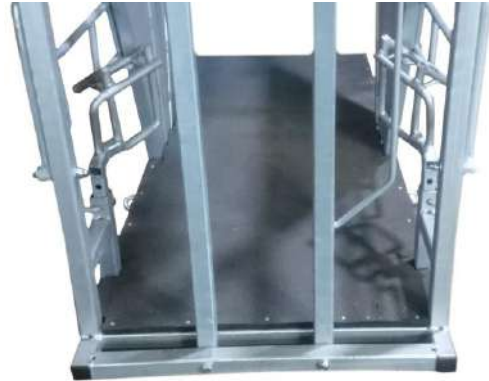


Photo 2.



Photo 3.

Hoof trimming crush SVP 2-2, operating manual

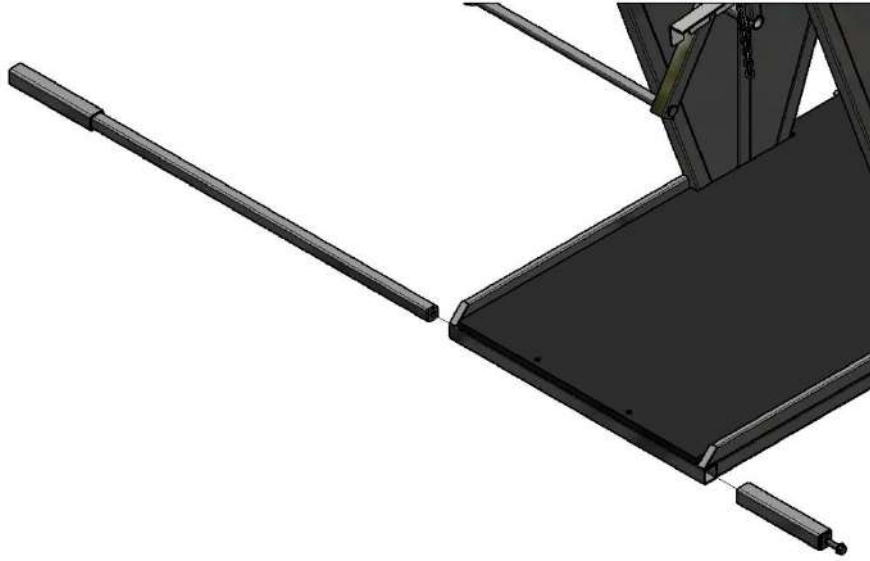


Figure 2.



Figure 3.

Hoof trimming crush SVP 2-2, operating manual

OPERATION OF THE TRIMMING CRUSH

FIXING OF THE COW

Open the main locking tube and use the hoist to lift the rear frame up (photo 4). Then direct the cow into the crush and close the main locking tube by pulling the handle. Using the hoist, lower the rear frame and close with comb latch. Adjust the chute frame of the rear frame to the appropriate height and fasten with stoppers. Pull the lifting band from behind the front legs of the cow and connect to the manual hoist hooks, supporting the cow by turning the wheel of the hoist, until the cow is sufficiently secured (photo 5).



Photo 4.



Photo 5.

LIFTING OF THE FRONT LEG

Turn the hoist's boom over the holder of the front leg and drop the lifting band between the arms of the holder (photo 6). Fasten the lifting band around the cow's leg and connect to the safety clamp at the end of the band. Using hoist, lift the leg of the cow so, that it will be between

Hoof trimming crush SVP 2-2, operating manual

the foot holders arms until it is appropriately fixed (photo 7). Safety clamp can be used to release the leg quickly when necessary (photo 8).



Photo 6.



Photo 7.



Photo 8.

Hoof trimming crush SVP 2-2, operating manual

LIFTING THE BACK LEG

Turn the boom of the electric hoist over the rear frame and lower the lifting band. Fasten the band around the back leg of the cow from under the knee and fix with safety clamp. Using hoist, lift the leg and assist with your hand to direct it into the right position, so that it is firmly fixed from both sides against the horizontal tube (photo 8).



Photo 9.

RELEASING THE COW

Using hoist lift the rear frame and open the locking clamp of the main locking tube. Direct the cow backwards outside the crush

Hoof trimming crush SVP 2-2, operating manual

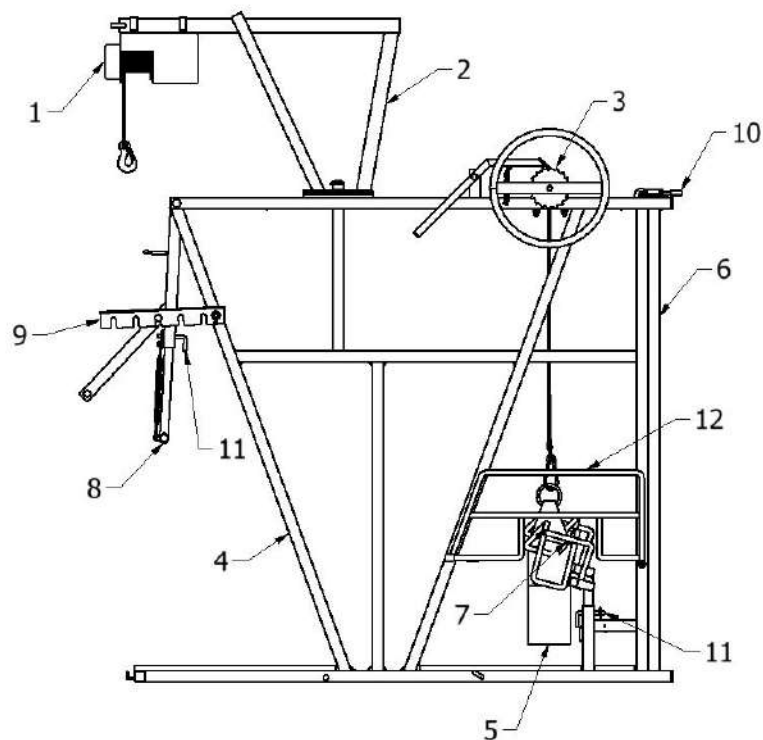
TRIMMING CRUSH CONSISTS OF

Figure 4.

1. Electric hoist, 2. Hoist boom 3. Manual hoist, 4. Crush frame, 5. Cow lifting band, 6. Main locking tube, 7. Front leg holder, 8. Rear frame, 9. Comb latch, 10. Locking clamp, 11. Stopper, 12. Safety device.

Hoof trimming crush SVP 2-2, operating manual

MAINTENANCE OF THE CRUSH

1. Carry out the maintenance of the electric hoist must as described in the electric hoist manual.
2. Lubricate the electric hoist bearings and the slide washer every 6 months, if necessary more often. Use grease nipples for lubrication of the slide washer of the hoist boom and the manual hoist bearings (photos 10, 11)
3. The lifting bands have to be continuously monitored visually for mechanical damages. Clean always the bands after work.
4. The main locking tube lifting band has to be monitored visually for mechanical damages.
5. After work always wash the rubber mat of the crush' floor.
6. After work always check visually the moving parts of the trimming crush. Check the complexity of the fastening set in order to avoid risk of damage.
7. Order the spare parts and warranty repairs from your supplier.



Photo 10



Photo 11

RESTRICTIONS ON USE AND UTILIZATION

1. The hoof trimming crush made by Latter NT OÜ (hereinafter Latter) is designed for carrying out hoof trimming works in small farms for cows with weight up to 900 kg.
2. Electrical hoist can be used for designated purposes only and its maximum lifting load is 300 kg.
3. Trimming crush should not be used in moist environment.
4. Always clean the crush after work and check visually its condition.
5. Always check the lifting cable of the electric hoist, as described in the hoist manual.
6. The metal parts of the device can be utilized as metal scrap, with the exception of the electric motor, which must be utilized in accordance with manufacturer's instructions.

Hoof trimming crush SVP 2-2, operating manual

USE OF EXTRA COMPONENTS OF THE TRIMMING CRUSH.**TRIMMING CRUSH WHEEL SET**

For installation of the wheel set lift the rear frame up using the hoist. Remove the extension cord. Install the wheel trolley as shown in Figure 5. Press the handle of the trolley downwards, lift the crush up and close the side supports (C), Figure 6. Use work gloves and safety footwear to avoid getting hurt.

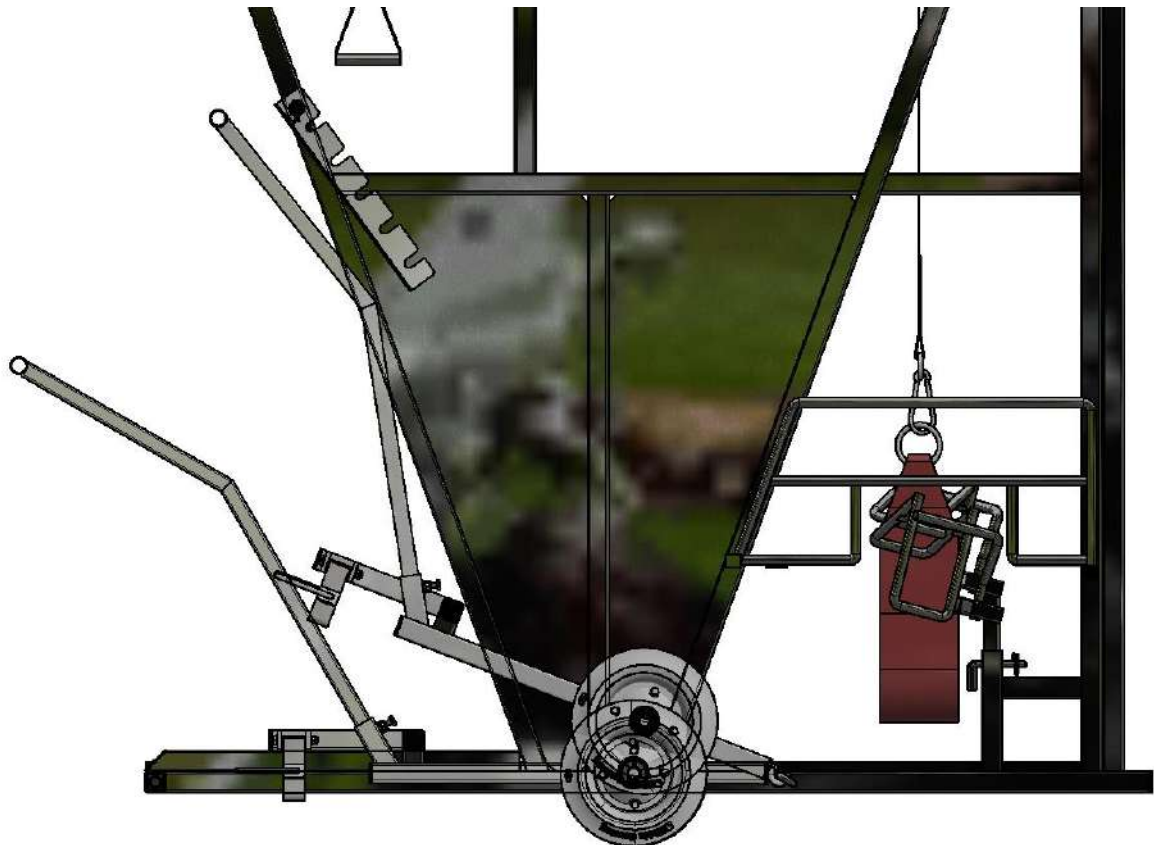


Figure 5.

Hoof trimming crush SVP 2-2, operating manual

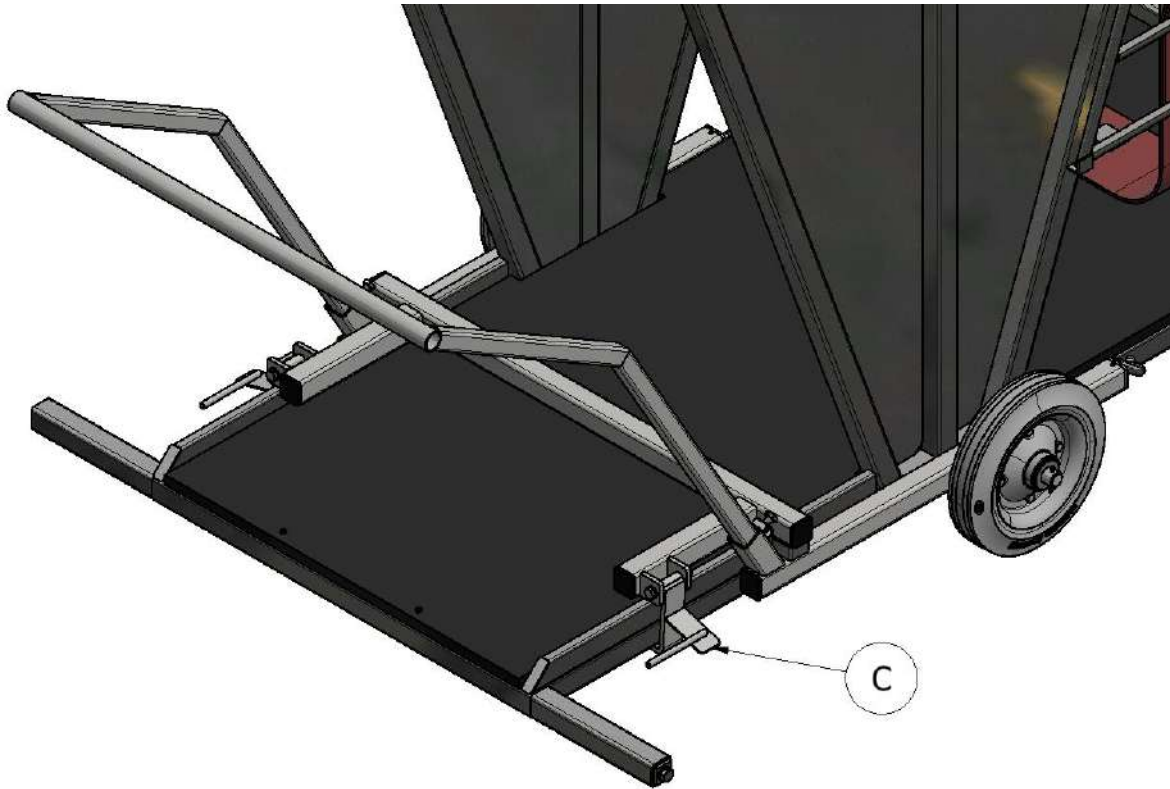


Figure 6.

Hoof trimming crush SVP 2-2, operating manual

ADDITIONAL LIFTING KIT

It is possible to install additional animal lifting kit (figure 7).

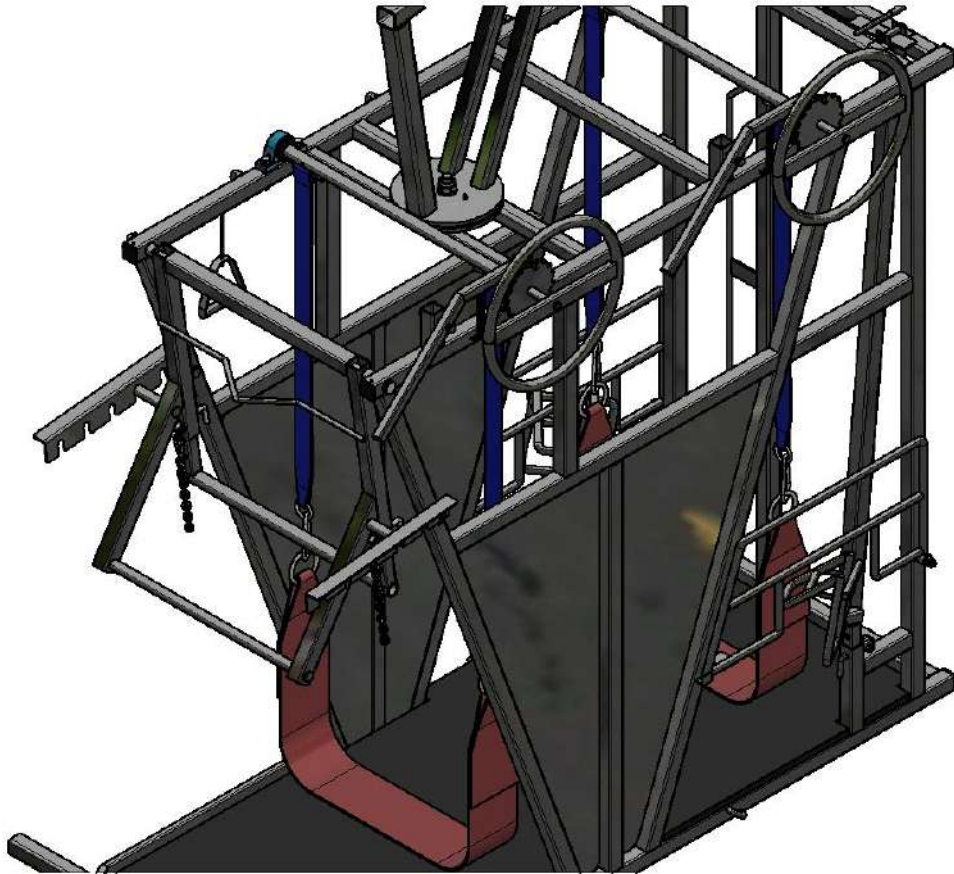


Figure 7.

Hoof trimming crush SVP 2-2, operating manual

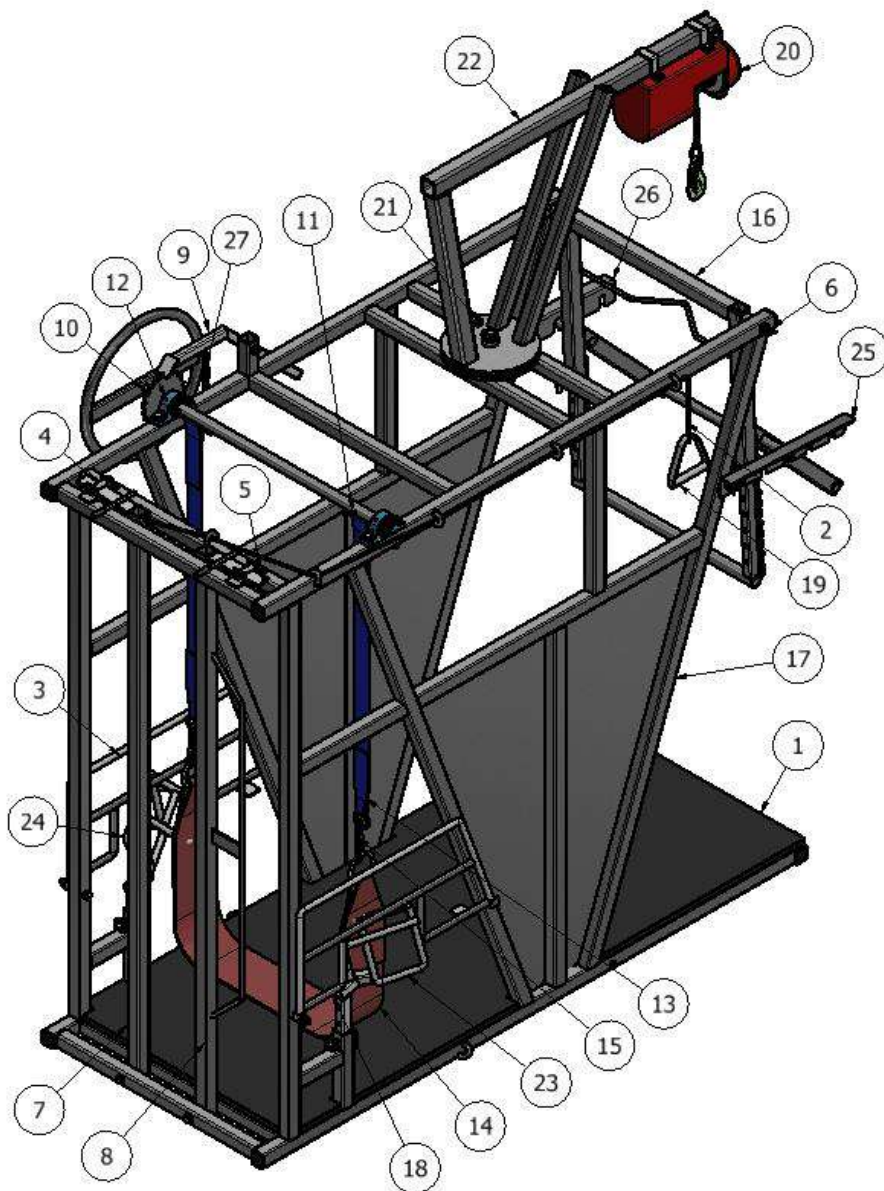
LIST OF SPARE PARTS

Figure 8.

Hoof trimming crush SVP 2-2, operating manual

Nr.	Article	Name
1	D000233_021	Underlay mat SVP-2
2	D000556_010	Braided rope 6 mm
3	K000069_080	Left side protector
4	K000071_080	Left closing device
5	K000072_080	Right closing device
6	K000093_080	Finger 810
7	K000094_080	Left locking tube
8	K000102_080	Right locking tube
9	K000106_080	Handle
10	K000105_070	Steering wheel KZ
11	K000107_070	Band shaft KZ
12	LUCP204K	Bearing assembly 20 mm, vertical
13	Sling tape 1000	W= 1,0 m + Rings
14	Sling tape 150 x 1500	W= 1,5 m + Rings
15	V1647	Carabiner 8 x 80 mm
16	K000126_080	Rear frame
17	K000131_080	Crush frame
18	K000133_080	Right side protector
19	K000166_070	Rope handle KZ
20	AWD 153	Electric hoist 200/400 kg
21	D000308_000	Slide washer
22	K000190_070	Crane boom KZ
23	K000194_090	Right front leg holder
24	K000196_090	Left front leg holder
25	K000210_080	Right comb latch
26	K000211_080	Left comb latch
27	VJ901415	Tension spring 90 x14 x1,5



Animal Farming Equipment

Hoof trimming crush SVP 2-2, operating manual

MAINTENANCE BOOK

Date	Works carried out by	Description of maintenance works (Record of replaced parts and works that have been carried out)



Animal Farming Equipment

Hoof trimming crush SVP 2-2, operating manual

Manufacturer:

Latter NT OÜ

Pikk 37b, Ambla alevik

73502 Järvamaa

Estonia

Telephone: +372 3851852

E-mail: info@latter.ee

Website: www.latter.ee

Copying, transferring or spreading of the content of this document in any form is prohibited, without prior written authorization of Latter NT OÜ. Latter continuously seeks to improve its products. Latter NT OÜ reserves the right to make alterations and improvement of the here described products without prior notice.

EC DECLARATION OF CONFORMITY

Document no. 53

Latter NT OÜ confirms and bears sole responsibility that the below mentioned product is manufactured in accordance of the standards of the company and complies with the following directive(s), standard(s) and other legislative documents.

Machinery directive 2006/42/EC

Standards of safety of machinery

EN ISO 12100:2010

EN 349:1998+A1:2008

Product type corresponding to this declaration:

Hoof trimming crush SVP-2

The quality system of Latter NT OÜ is created in accordance with quality management standard ISO 9001:2008 and environmental management standard ISO 14001:2005.

Latter NT OÜ is liable only for the accuracy of the English, Finnish and German language versions of this document. Should the document be translated into any other language, the liability lies with the translator.

Publication date 2016-09-19.



Taavi Raba

Manager